

FOOD AND BEVERAGE

Company Name

DO & CO New York Catering, Inc

Location

Jamaica, NY

System Installation Year

2017

Data Collection

Beginning June 2017

Generating Capacity

210 kW

CHP Equipment

Six Yanmar CP35DIZ-TNUG
Generators

Heat Recovery Application

Hot Water for Domestic Hot
Water

Type of Fuel

Natural Gas

Combined Heat and Power System Saves Catering Company Money

BACKGROUND

DO & CO New York Catering, Inc at JFK Airport started its operation in 1999 and employs more than 200 people at its location in Jamaica, NY. The existing building is in a 10,000 square meter site which was expanded by nearly 5,000 square meters and transformed into one of the most modern airline catering operations worldwide. A combined heat and power (CHP) cogeneration system was installed to provide reduced energy costs for domestic hot water (DHW).



DO & CO New York Catering, Inc

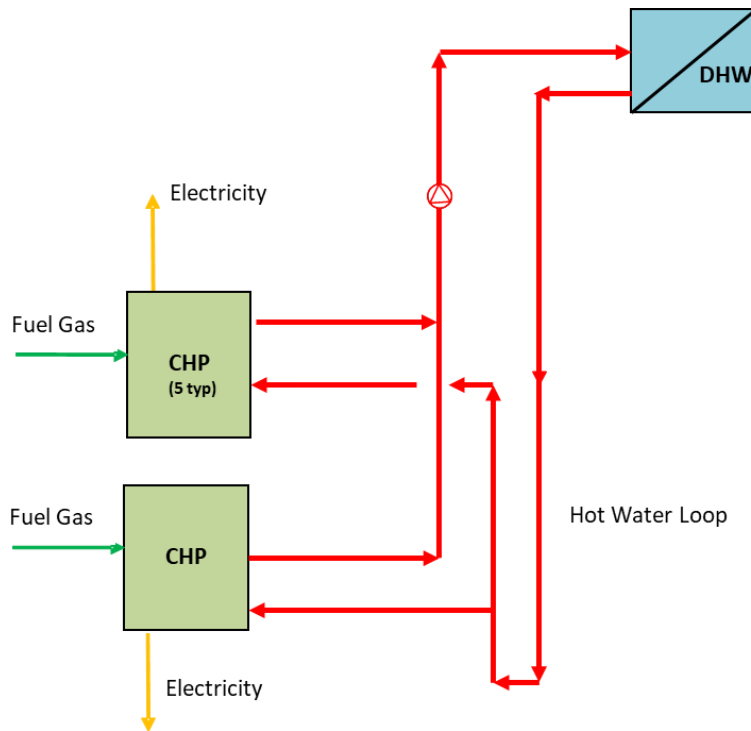
CHP SYSTEM AND EQUIPMENT

- Six Yanmar CP35DIZ-TNUG 35 kW, natural gas fired reciprocating engine and induction generator sets
- Jacket water and exhaust heat recovery system
- Enclosure for sound abatement

THE APPLICATION

- The system delivers two forms of energy, heat and electricity, from a single fuel source (natural gas)
- Generators provide on-site electric generation and can provide 210 kW of continuous power to offset part of the building's base electrical load
- Operates in parallel with the grid
- Each generator can provide 202 MBtu/h of thermal output as hot water
- Heat recovered from the production of electricity is used for domestic hot water (DHW)
- Monitored data are being collected from the site and are available in an hourly format on NYSERDA's DG/CHP website from June 2017

Combined Heat and Power for a Catering Company



ECONOMICS AND ENVIRONMENTAL BENEFITS

- The high efficiency CHP system significantly reduces energy costs and harmful emissions
- Reduction in greenhouse gas emissions
- The system continues to provide energy and hot water during a grid power failure

SUMMARY OF BENEFITS

- Reduced cost for energy needs
- Lower reliance upon the energy grid
- Reduced carbon footprint
- Provides electricity and hot water during power outages

ADDITIONAL RESOURCES

- Developer/Engineer: <http://www.aegisenergyservices.com/>
- Equipment Manufacturer: <http://www.yanmar-es.com/>
- DG/CHP Resources: <http://dg.nyserda.ny.gov>



CHP Unit at DO & CO New York Catering, Inc

nyserda.ny.gov/chp
1-866-NYSERDA

